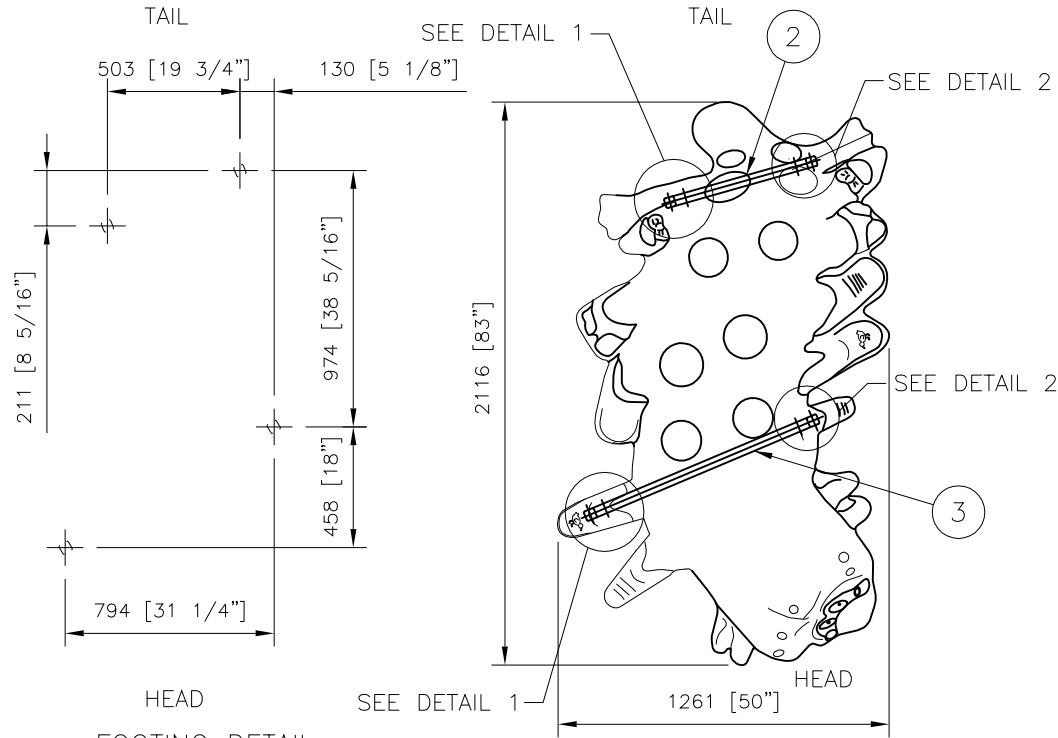
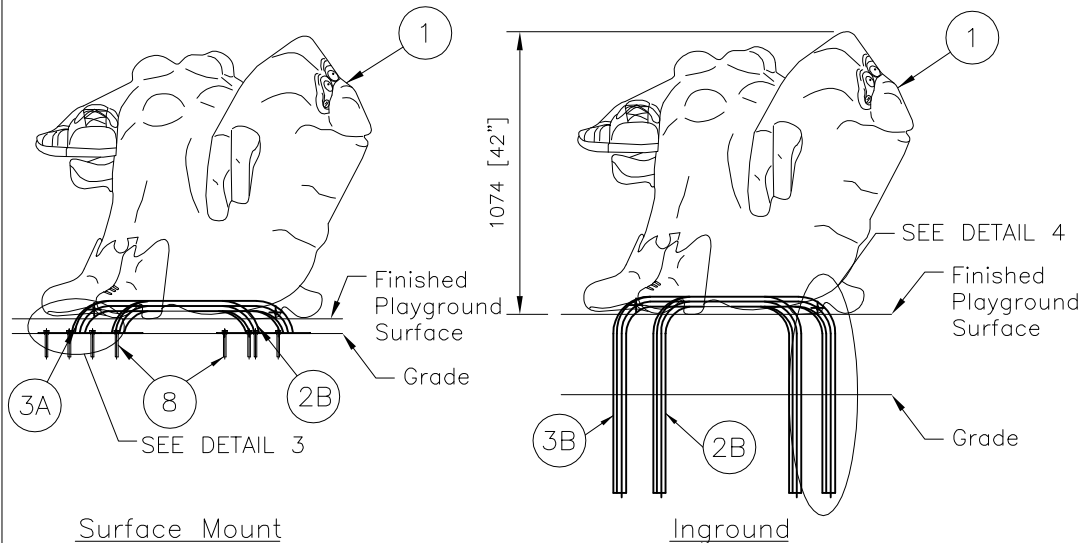


AUTHORIZED BY:
Chris M. M... 21MAY03



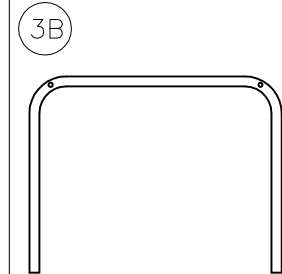
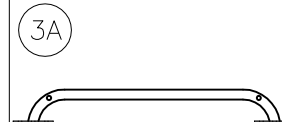
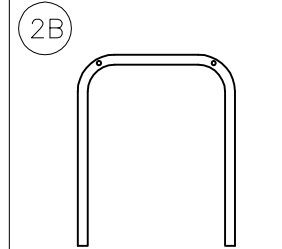
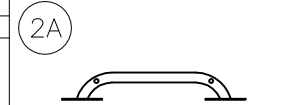
FOOTING DETAIL

Dimensioned to center of plate for surface mount



CATERPILLAR SCULPTURE
200200171
HDWR BAG F/CATERPILLAR
200142957

Item	Code	Description	Qty.
1	-	CATERPILLAR	1
2A	200142704	SUPPORT SHORT F/CATERPILLAR SM UNP	1
2B	200142703	SUPPORT SHORT F/CATERPILLAR ING UNP	1
3A	200142702	SUPPORT LONG F/CATERPILLAR SM UNP	1
3B	200142701	SUPPORT LONG F/CATERPILLAR ING UNP	1
4	200142930	ROD THREADED M8 X 100MM	2
5	200142931	ROD THREADED M8 X 75MM	2
6	200002145	BOLT M8 X 1.35 FEMALE 10.3 X 30MM	8
7	200002079	WASHER FLAT M11 23 X 12 X 1.6MM	8
8	200001776	ANCHOR CONCRETE WEDGE M10 X 1.5 X 100MM	8



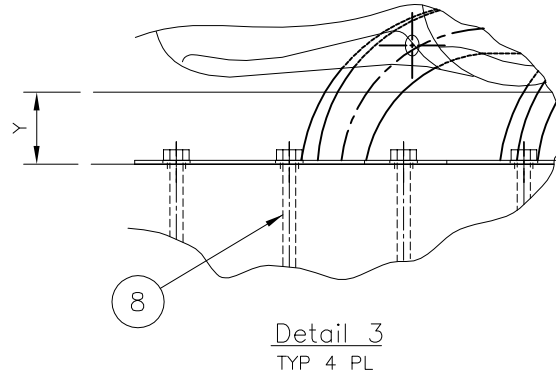
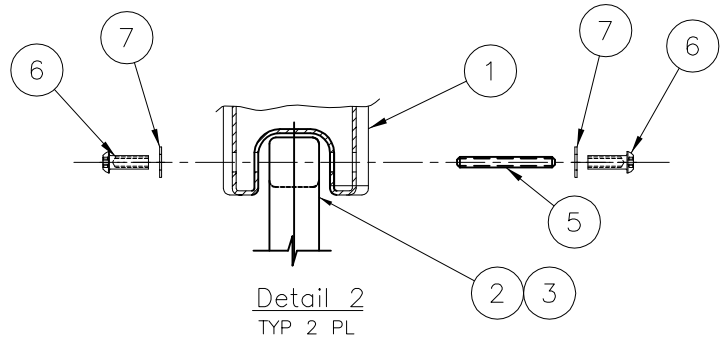
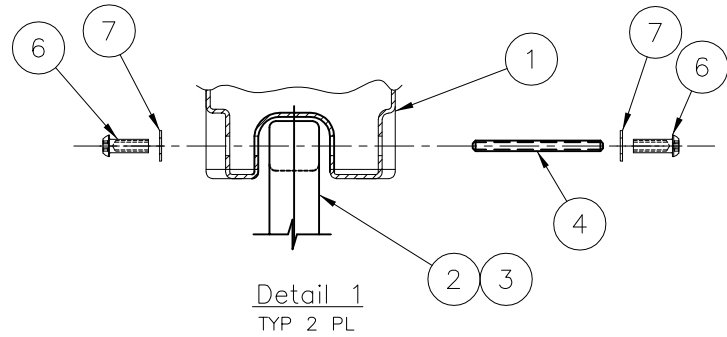
Application

- Recommended for ages 2-5.
- A resilient ground covering is required under and around all playevents.
- Cannot be installed under or above a deck.
- This component is an independent part and does not attach to a structure (and must be mounted outside of any use zones).

Installation Instructions

1. Prepare footings (refer to Details 3 and 4).
2. Carefully flip the Caterpillar on to its back and attach Long and Short Support (items 2 and 3) to the Caterpillar Body as shown in Details 1 and 2.
3. Complete footings and install resilient surfacing.

AUTHORIZED BY: 21MAY03
Chris M. Newberry



Always place adequate safety surfacing under and around component

$X + Y = 678 [26 \frac{3}{4} \text{ "}]$ ALWAYS
X = POST DEPTH IN TO GROUND
Y = RESILIENT SURFACING

