

17 h



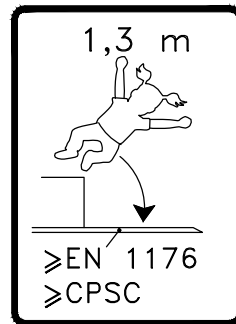
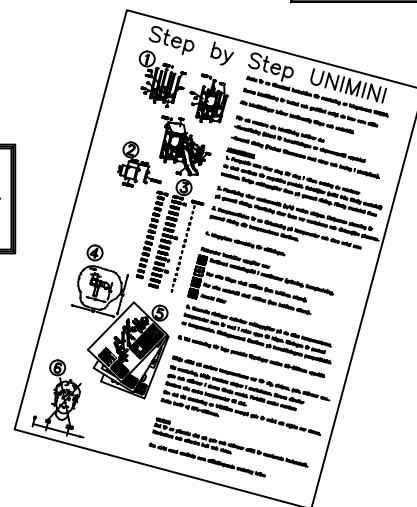
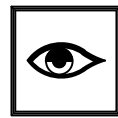
Varje vecka  
Every week  
Jede woche  
Chaque semaine



Varje säsong  
Every season  
Jedes Jahr  
Chaque saison



2-5

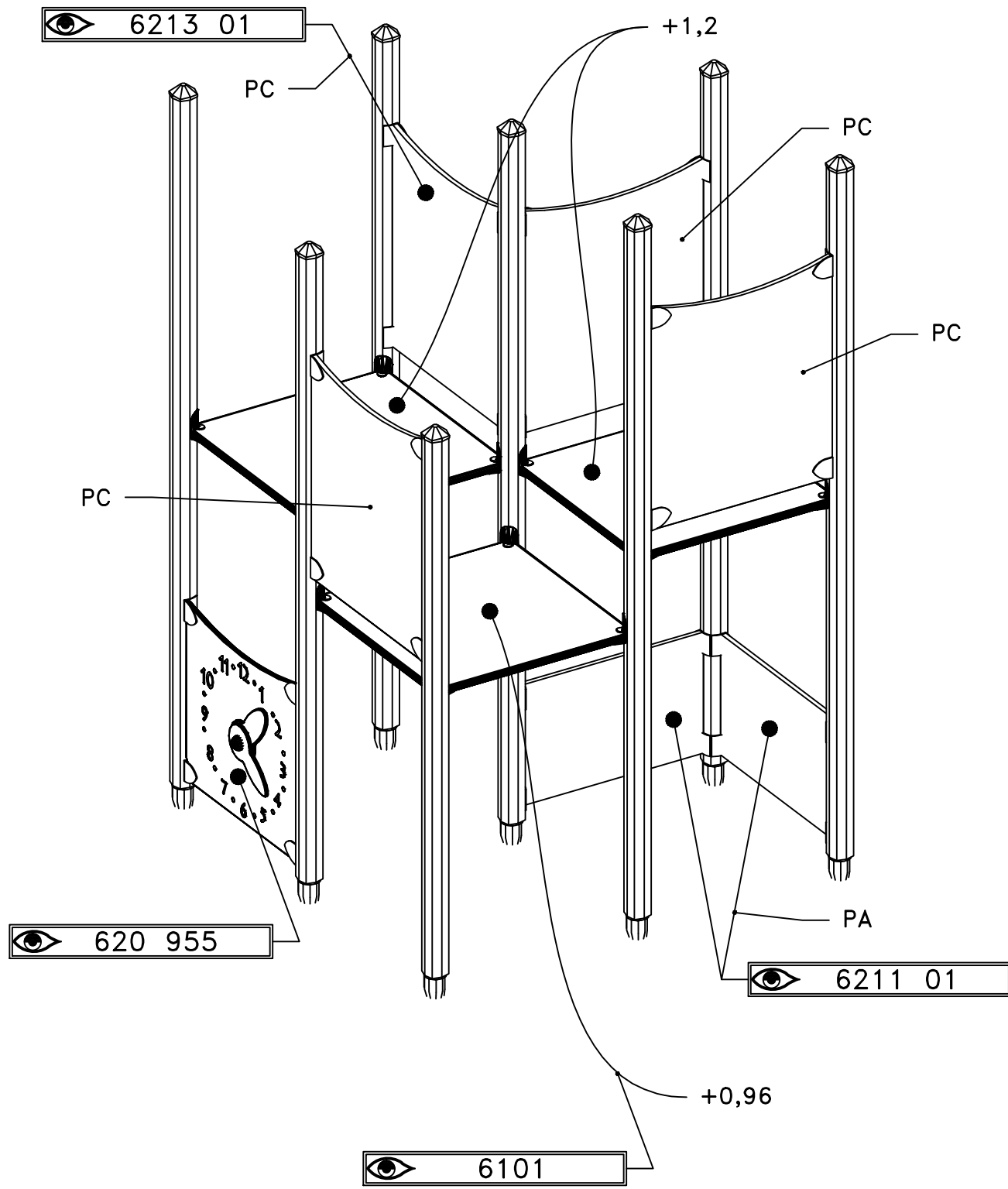


**HAGS** ANEBY, SWEDEN  
+46(0)380-47300  
www.hags.com

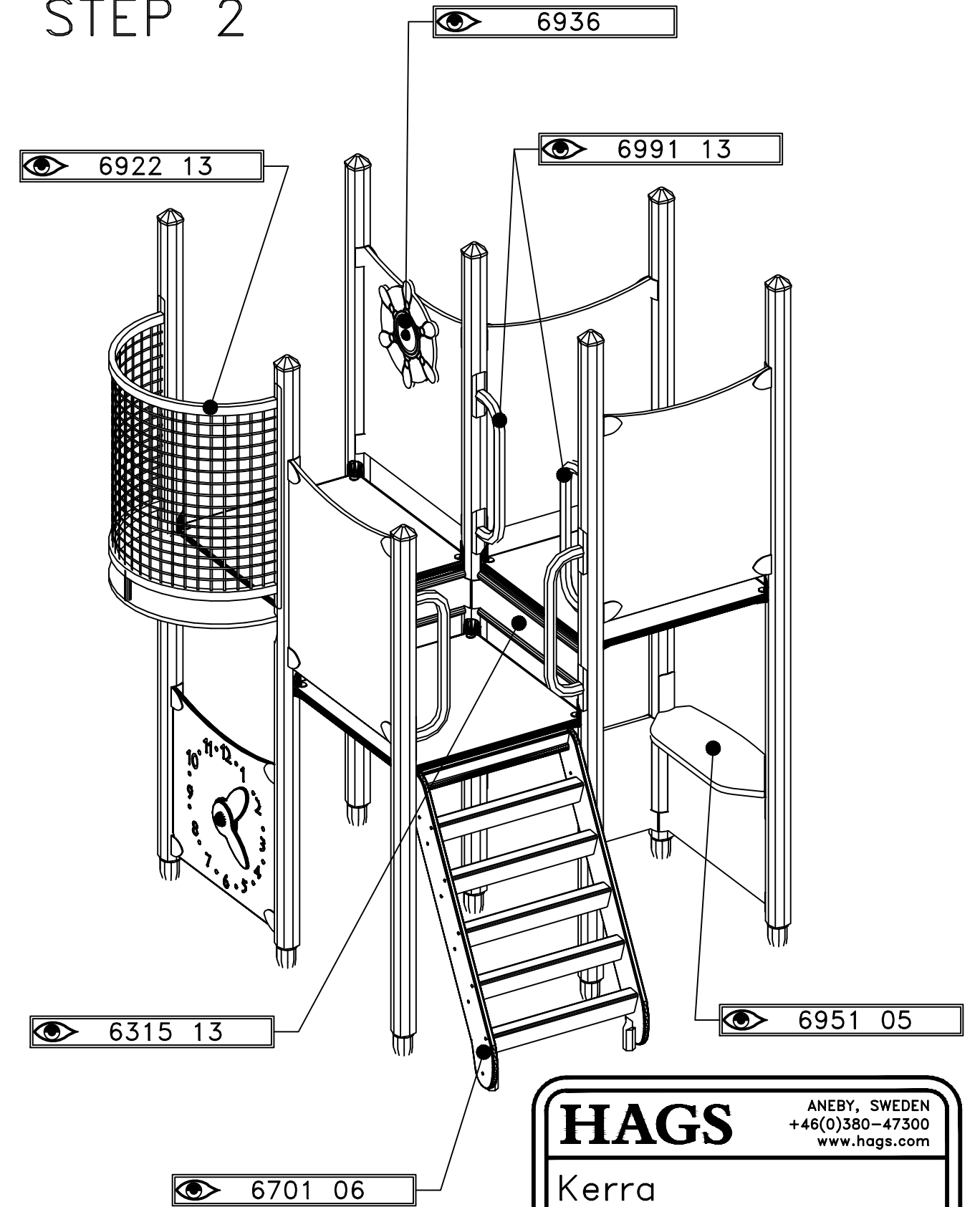
Kerra  
608 137  
1(3)

DN OG 2013-03-15 2

# STEP 1

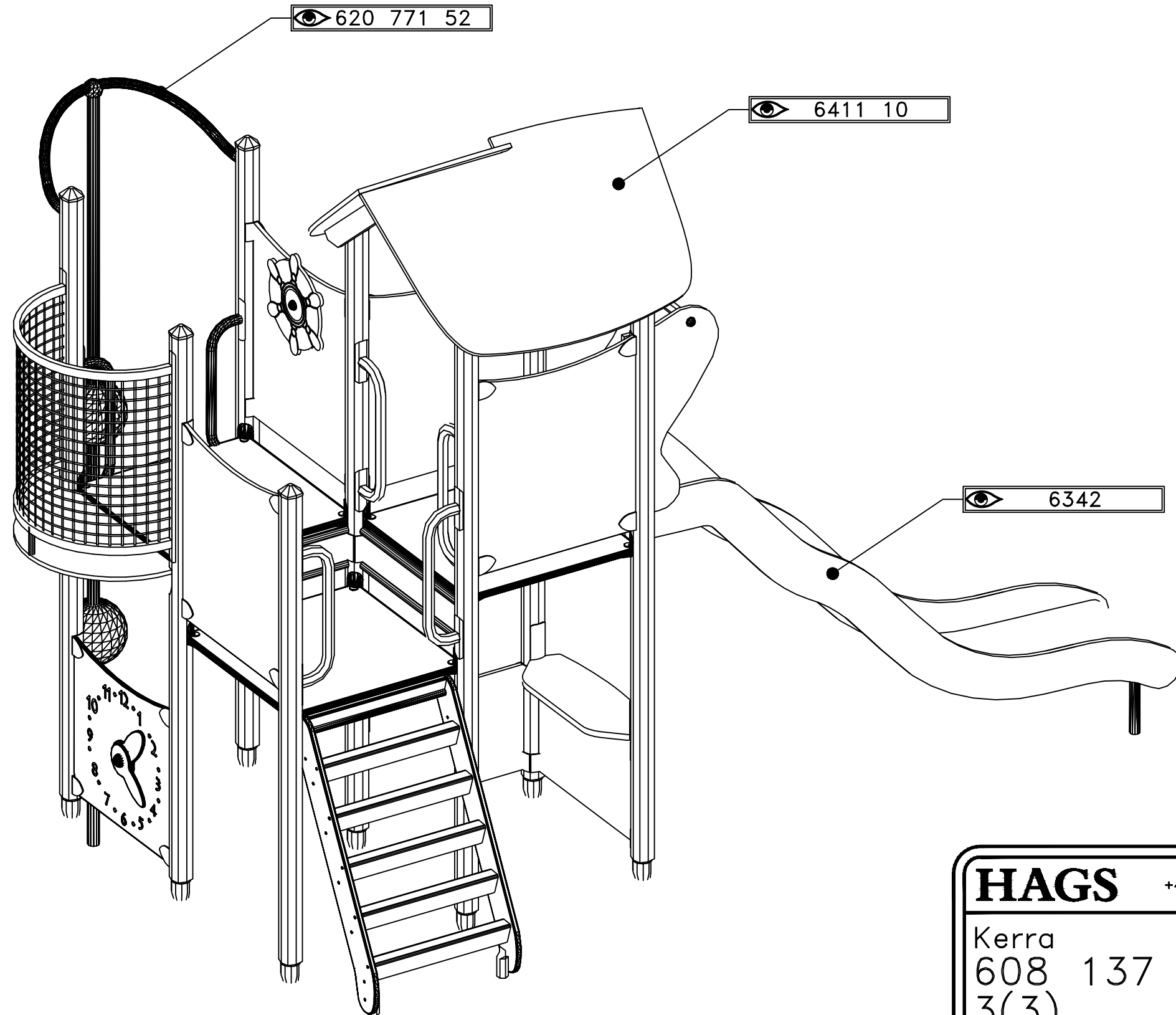


# STEP 2



|             |    |                 |    |
|-------------|----|-----------------|----|
| <b>HAGS</b> |    | ANEBY, SWEDEN   |    |
|             |    | +46(0)380-47300 |    |
|             |    | www.hags.com    |    |
| Kerra       |    |                 |    |
| 608 137     |    |                 |    |
| 2(3)        |    |                 |    |
| 🏠           | DN | 🔍               | OG |
| 2013-03-15  |    | 2               |    |

# STEP 3



|             |    |                 |                   |
|-------------|----|-----------------|-------------------|
| <b>HAGS</b> |    | ANEBY, SWEDEN   |                   |
|             |    | +46(0)380-47300 |                   |
|             |    | www.hags.com    |                   |
| Kerra       |    |                 |                   |
| 608 137     |    |                 |                   |
| 3(3)        |    |                 |                   |
|             | DN |                 | OG 2013-03-15   2 |